

# Hydex Water Cannon & Accessories

Twyford Business Centre, Bishop's Stortford, CM23 3YT, England

Phone: +44 1279 755590 • Email: parts@hydexuk.com

1279 120<sup>th</sup> Ave NE, Bellevue, WA 98005, United States – Phone: +1 800 948-8997



**ROJO-KIT-12V-NPT-AL** This is a Electric Rotating Joint. 3" groove inlet and outlet with 2 1/2" NPT threads in both ends as well. It has a 12 volt motor, 250 psi, 10 to 340 degree adjustable rotation.



**ROJO-KIT-24V-NPT-AL** This is a Electric Rotating Joint. 3" groove inlet and outlet with 2 1/2" NPT threads in both ends as well. It has a 24 volt motor, 250 psi, 10 to 340 degree adjustable rotation.



**ROJO-KIT-12V-NPT-AL-104** SIDE SPRAY KIT



**ROJO-KIT-12V-NPT-AL-106** STREET FLUSHER KIT



**ROJO-KIT-12V-NPT-AL-111**



# BELOW ARE THE NEW BRUSH HAWK MONITORS.

FOR A COMPLETE KIT YOU NEED TO CHOOSE 1 MONITOR, 1 JOYSTICK, 1 NOZZLE, AND 1 HARNESS. (harness is to go between the joystick and monitor)

IF

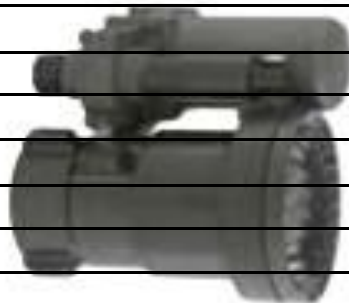
YOU WANT AN ELECTRIC VALVE IN THE KIT, CHOOSE 1 VALVE AND A TOTAL OF 2 HARNESSES (1 to go between the joystick and valve and 1 to go between the valve and monitor, you will no longer need the original harness going between the joystick and monitor)







<p><b>MON-BRUSHAWK-1.5-12/24V</b> BRUSH HAWK MONITOR, 1 1/2" INLET, 1 1/2" OUTLET, 12 OR 24 VOLT, 180 DEGREE AND 350 DEGREE ROTATION</p>			
<p><b>MON-BRUSHAWK-2-12/24V</b> BRUSH HAWK MONITOR, 2" INLET, 1 1/2" OUTLET, 12 OR 24 VOLT, 180 DEGREE AND 350 DEGREE ROTATION</p>			
<p><b>MON-BRUSHAWK-JOYSTICK</b> JOYSTICK FOR THE BRUSH HAWK MONITOR, 12 OR 24 VOLT.</p>	 <p style="text-align: center;">Joystick</p>		

## ELECTRIC NOZZLES FOR THE BRUSH HAWK MONITORS.

1 1/2" INLET, 12 OR 24 VOLT, ELECTRIC FOG TO STRAIGHT STREAM

<p><b>MON-BRUSHAWK-NZL-15GPM</b></p>			
<p><b>MON-BRUSHAWK-NZL-30GPM</b></p>			
<p><b>MON-BRUSHAWK-NZL-45GPM</b></p>			
<p><b>MON-BRUSHAWK-NZL-60GPM</b></p>			
<p><b>MON-BRUSHAWK-NZL-75GPM</b></p>			
<p><b>MON-BRUSHAWK-NZL-95GPM</b></p>			
<p><b>MON-BRUSHAWK-NZL-125GPM</b></p>			
<p><b>MON-BRUSHAWK-NZL-150GPM</b></p>			
<p><b>MON-BRUSHAWK-NZL-175GPM</b></p>			
<p><b>MON-BRUSHAWK-NZL-200GPM</b></p>			
<p><b>MON-BRUSHAWK-NZL-250GPM</b></p>			
<p><b>MON-BRUSHAWK-NZL-350GPM</b></p>			
<p><b>MON-BRUSHAWK-NZL-400GPM</b></p>			
<p><b>MON-BRUSHAWK-NZL-475GPM</b></p>			



<p><b>MON-BRUSHAWK-NZL-ADJ-GPM</b> ELECTRIC NOZZLE FOR BRUSH HAWK MONITOR, 12/24 VOLT,ADJUSTABLE GPM 15,30,45,60,95,125,150,200, MFG PART #</p>			
<p><b>MON-BRUSHAWK-NZL-DE-ICE</b> ELECTRIC DE-ICING NOZZLE FOR BRUSH HAWK MONITOR, 12/24 VOLT, 20-120 GPM, MFG PART # 03817301</p>			
<p><b>MONITOR-NZL-66723001</b> ALUMINUM SMOOTH BORE NOZZLE FOR BRUSH HAWK MONITOR, 3/4" OUTLET</p>			
<p><b>MON-BRUSHAWK-VALVE-1.5</b> ELECTRIC VALVE KIT FOR BRUSH HAWK MONITOR, 1.5". 12 OR 24 VOLT. SS BALL VALVE, MFG PART # 70212001</p>	 Optional Valve Kit		
<p><b>MON-BRUSHAWK-VALVE-2</b> ELECTRIC VALVE KIT FOR BRUSH HAWK MONITOR, 2". 12 OR 24 VOLT. SS BALL VALVE, MFG PART # 70213001</p>	 Optional Valve Kit		
<p><b>BELOW ARE WIRE HARNESSES FOR THE BRUSH HAWK MONITOR</b> FOR MONITOR ONLY, CHOOSE 1 HARNESS. FOR MONITOR AND VALVE KITS, CHOOSE 2 HARNESSSES (one from joystick to valve and 1 from valve to monitor)</p>			
<p><b>MON-CAN-WIRE-2'</b></p>			
<p><b>MON-CAN-WIRE-10'</b></p>			
<p><b>MON-CAN-WIRE-15'</b></p>			
<p><b>MON-CAN-WIRE-20'</b></p>			
<p><b>MON-CAN-WIRE-30'</b></p>			
<p><b>MON-CAN-WIRE-40'</b></p>			
<p><b>MON-SW-M-WN</b> sidewinder MANUAL monitor, tiller handle, 2" NPT inlet, 11/2" outlet, without nozzle</p>			

# TANK LEVEL GAUGE

## WLA300-A12

TANK VISION GAUGE, PRIMARY KIT WITH GREEN FULL INDICATOR. COMES WITH SENSOR AND CABLES



## WLA300-A03-S30

KIT WATER DISP TANKVISION WLA300-A12 WITH A 30' HARNESS



## WLA205-A00

Water display, TankVision, Cab Mini



## WLA280-A00

MAXVISION LED DISPLAY, COMES WITH 1) XE-WL280-D0A DISPLAY, 1) XE-WLA2PM-R0A REF PROD MANUAL TANK VISION, AND 1) XE-XXDLTERMW-A0A ACCY DATA-LINK TERM RES W/WIRES

## XE-WLPT4-S0A

TANK VISION SENDING UNIT



## XE-WLS200S-C30A

CABLE TANK VISION SENSOR 30FT

# CAMERA SYSTEMS-WIRED AND WIRELESS

**RVS-CAMERA-SYSTEM-1C**  
**WIRELESS** BACKUP CAMERA  
 SYSTEM, COMES WITH 1 CAMERA,  
 AND 1 MONITOR. BCA211-A00



**FRC-BCA221-A00**  
**WIRELESS** BACKUP CAMERA  
 SYSTEM, COMES WITH 2 CAMERAS  
 AND 1 MONITOR. BCA221-A00



**RVS-082507**  
**WIRED** BACKUP CAMERA SYSTEM,  
 COMES WITH 1 CAMERA, AND 1  
 MONITOR. BCA111-A00



**FRC-BCA121-A00**  
**WIRED** BACKUP CAMERA SYSTEM,  
 COMES WITH 2 CAMERAS AND 1  
 MONITOR. BCA121-A00



**FRC-SNB100-C00** 360  
 CAMERA SYSTEM. THIS KIT  
 INCLUDES 4 CAMERAS, 1  
 CONTROLLER, 1 CABLE KIT, 1  
 TOGGLE SWITCH AND 1 7" IN CAB  
 MONITOR



The InView 360™ video system has many options available to tailor the system for each apparatus in your fleet. All components incorporate durable design and construction suitable for emergency vehicle operations. See Ordering Guide on pages 10 and 11.




**FRC-SNB001-C10**  
 CALIBRATION KIT FOR THE 360  
 CAMERA SYSTEM. THIS KIT CAN BE  
 USED ON MULTIPLE INSTALLS.

**MANSAVER-BARS**  
 MANSAVER BARS, 14" through 36".  
 must specify length when ordering. cost is  
 the same for all lengths. price per one bar








<b>NEW NITRO HD MONITOR- FOR OFF ROAD USE</b>	<b>1-5</b>	<b>6+</b>
<p><b>MON-KIT-NITRO-JS-12-24V</b>            NITRO MONITOR, MODEL 8100, 2.5" INLET, 2.5" OUTLET, COMES WITH JOYSTICK, MODULE AND WIRE HARNESSSES            DOES NOT COME WITH A NOZZLE.            NEED TO ORDER FROM BELOW</p>		
<p><b>MONITOR-NZL-NITRO-200GPM</b>            nozzle for nitro monitor, 200gpm</p>		
<p><b>MONITOR-NZL-NITRO-350GPM</b>            nozzle for nitro monitor, 350gpm</p>		
<p><b>MONITOR-NZL-NITRO-500GPM</b>            nozzle for nitro monitor, 500gpm</p>		
<p><b>MONITOR-NZL-NITRO-750GPM</b>            nozzle for nitro monitor, 750gpm</p>		
<p><b>MONITOR-NZL-NIT-STEM-200</b>            alternate stem for the nitro nozzle 200gpm</p>		
<p><b>MONITOR-NZL-NIT-STEM-350</b>            alternate stem for the nitro nozzle 350gpm</p>		
<p><b>MONITOR-NZL-NIT-STEM-500</b>            alternate stem for the nitro nozzle 500gpm</p>		
<p><b>MONITOR-NZL-NIT-STEM-750</b>            alternate stem for the nitro nozzle 750gpm</p>		
<p><b>MONITOR-NIT-WIRE-EXT</b>            15' WIRE HARNESS EXTENSION FOR NITRO MONITOR, JOYSTICK TO MODULE,</p>		
<p><b>MON-NITRO-12V-24V</b>            NITRO MONITOR ONLY, 2.5" FNPT INLET, 2/5" MNST OUTLET, 12 OR 24 VOLT,</p>		
<p><b>MONITOR-NITRO-JOYSTICK</b>            REPLACEMENT JOYSTICK FOR NITRO</p>		
<p><b>MONITOR-NITRO-MODULE</b>            REPLACEMENT MODULE FOR NITRO</p>		
<p><b>MON-VUL-M-WN</b>            VULCAN MANUAL monitor, tiller handle, 3" FLANGED inlet, 2 1/2" outlet, without nozzle</p>		

# PARTS FOR EXM MONITOR

<b>MON-EXM2-12V/24V</b>	monitor only, EXM2		
<b>MON-EXM2-COBRA-1250SD</b>	monitor only, EXM2 COBRA, 1250gpm, STANDARD DUTY, 3" flange mount. 2 1/2" OUTLET, 02007201		
<b>MON-EXM2-COBRA-1250HD</b>	monitor only, EXM2 COBRA, 1250gpm, HEAVY DUTY, 3" flange mount. 2 1/2" OUTLET, 02007202		
<b>MON-EXM2-COBRA-1500SD</b>	monitor only, EXM2 COBRA, 1500gpm, STANDARD DUTY, 3" flange mount. 3" OUTLET, 02007205		
<b>MON-EXM2-COBRA-1500HD</b>	monitor only, EXM2 COBRA, 1500gpm, HEAVY DUTY, 3" flange mount. 3" OUTLET, 02007206		
<b>MON-EXM2-SCORPION-4F</b>	monitor only, EXM2 SCORPION, 2500gpm, 4" flange mount. 02007403		
<b>MONITOR-EXM2-JOYSTICK</b>	joystick kit for EXM monitor 7030		
<b>MONITOR-EXM2-HANDHELD-KIT</b>	handheld controler conversion kit 7015		
<b>MONITOR-EXM2-PANEL MOUNT</b>	panel mount controller for EXM2 7010		
<b>MONITOR -NZL-EXM2-700GPM</b>	electric nozzle, exm, 250 to 700gpm		
<b>MONITOR -NZL-EXM2-200GPM</b>	electric nozzle, exm, 15 to 200gpm		
<b>MON-CAN-WIRE-2'</b>			
<b>MON-CAN-WIRE-10'</b>			
<b>MON-CAN-WIRE-15'</b>			
<b>MON-CAN-WIRE-20'</b>			
<b>MON-CAN-WIRE-30'</b>			
<b>MON-CAN-WIRE-40'</b>			
<b>ELK-24196000</b>	CAN SPLITTER		
<b>ELK-24197000</b>	CAN TERMINAL PLUG		
<b>MONITOR ACCESSORIES</b>			
<b>MONITOR-AUTO-DRAIN</b> 01573001, AUTO DRAIN, 3/4"			
<b>MONITOR-CART-00764211</b> 2 wheeled cart for monitor, 2) 2 1/2" inlet, monitor not included			
<b>MONITOR-EXM2-DISPLAY</b> position display for the EXM monitor. Gives LED display of position the monitor is in vertically and horizontally.			



<b>MONITOR-STREAM SHAPER-11/2"</b> 11/2" stream shaper for the sidewinder monitor			
<b>MONITOR-STREAM SHAPER-21/2"</b> 21/2" stream shaper for the vulcan or EXM monitors			
<b>BN15F</b> 11/2" NST, 1/2" outlet			
<b>BN25F</b> 21/2" NST, 3/4" outlet			
<b>MONITOR PIPE</b> Swedged pipe for monitor installation. Groove or Weld X MPT. Custom lengths and sizes. No Welds. Black, SS, Aluminum			
<b>Monitor-pipe-3GVx2Mpt-6'S40B</b>			
<b>Monitor-pipe-3Wx2Mpt-6'S40B</b>	